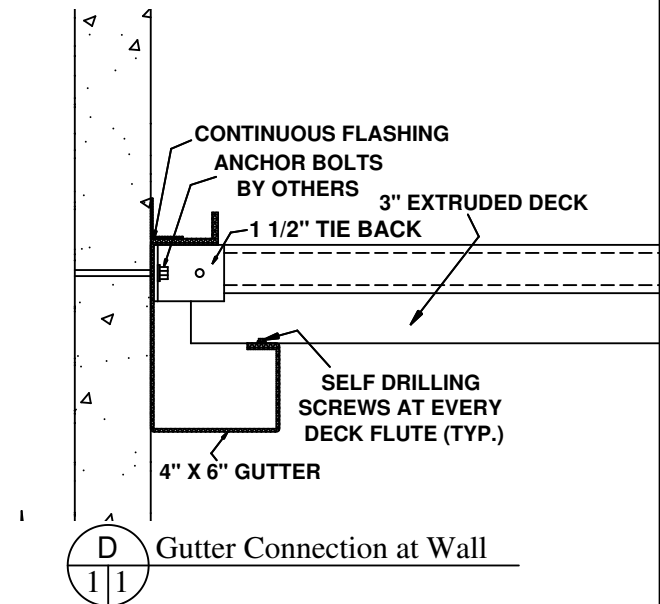
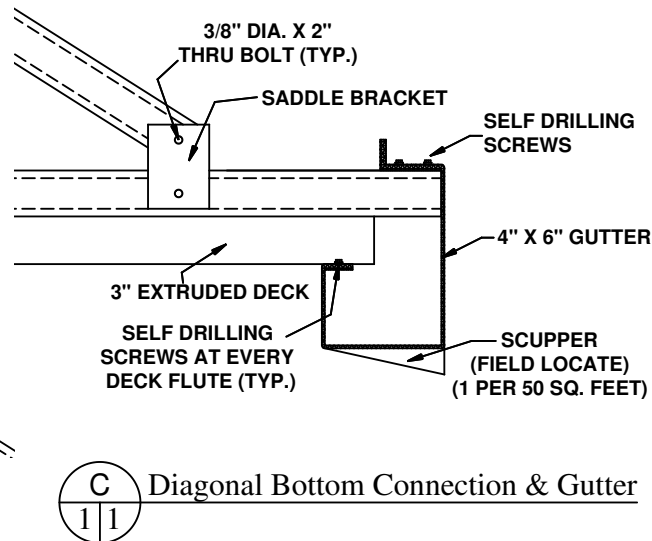
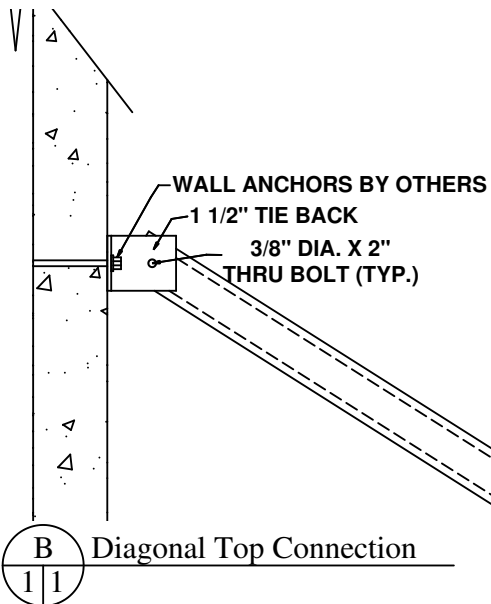


General Arrangement



**ENDURANCE DECK 300 SERIES,
400 SERIES AND 500 SERIES**

JOB NAME:

| | |
|------------|--|
| PROJECT #: | |
| PLAN NAME: | |
| DATE: | |
| DRAWN BY: | |

SHEET:
D1.0