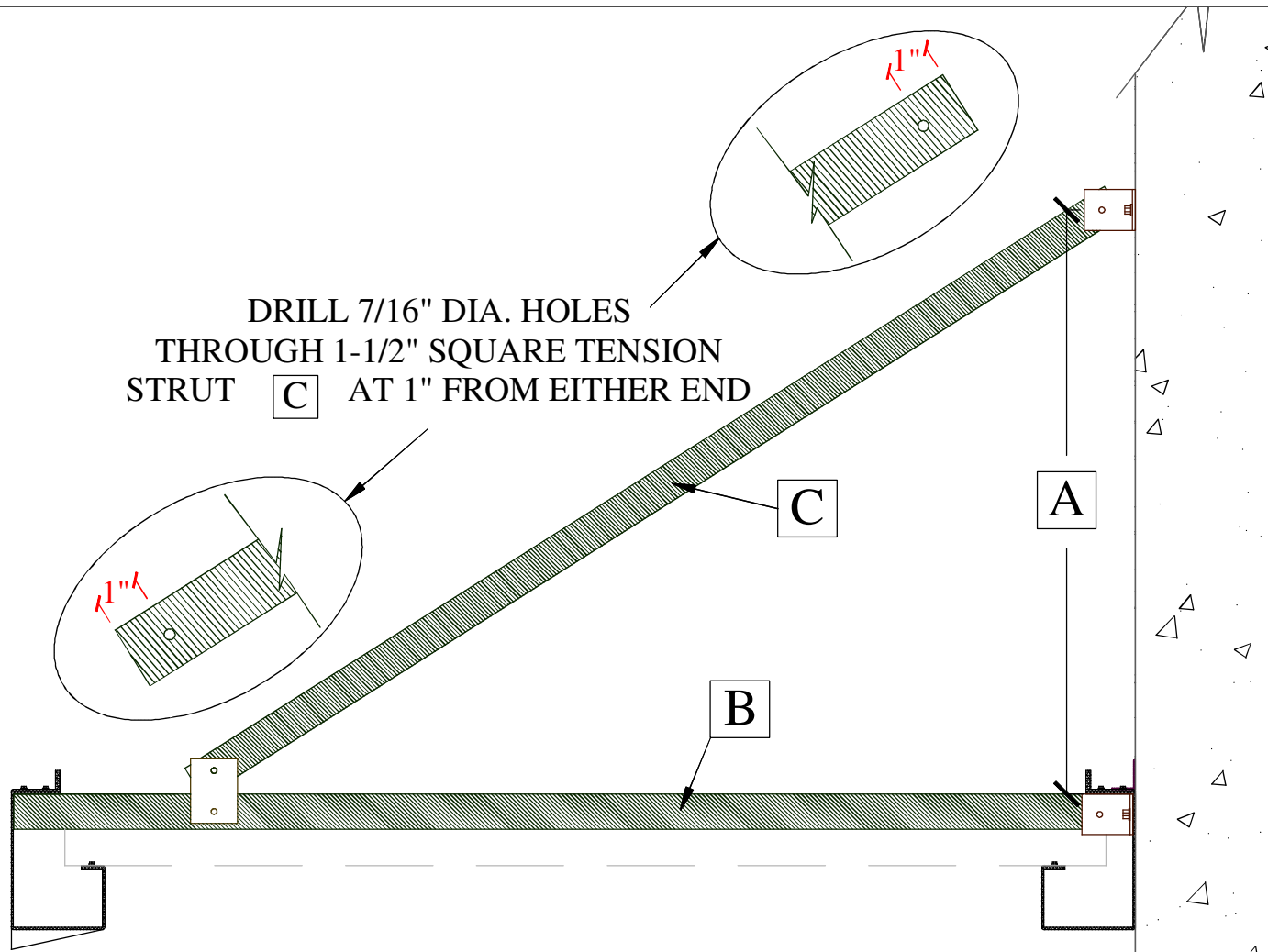


# CANOPY CORPORATION ROLL-FORMED ALUMINUM CANOPY SYSTEM



PROJECTION	A BRACKET HEIGHT	B COMPRESSION STRUT LENGTH	C TENSION STRUT LENGTH
48"	23-3/8"	47-3/4"	49-3/4"
49"	26"	48-3/4"	51"
50"	26-1/2"	49-3/4"	52-1/8"
51"	27"	50-3/4"	53-1/4"
52"	27-5/8"	51-3/4"	54-3/8"
53"	28-1/4"	52-3/4"	55-1/2"
54"	28-3/4"	53-3/4"	56-3/4"
55"	29-3/8"	54-3/4"	57-7/8"
56"	30"	55-3/4"	59"
57"	30-1/2"	56-3/4"	60-1/8"
58"	31-1/8"	57-3/4"	61-3/8"
59"	31-5/8"	58-3/4"	62-1/2"
60"	32-1/4"	59-3/4"	63-5/8"



P.O. Box 21207  
 Winston-Salem, NC 27120  
 Ph: 336-837-0077  
 Email: sales@canopy-corp.com  
 Website: www.canopy-corp.com